

EXTERNAL VALVE

Type No. 356-014-011c

Description / features

The valve is supplied with pressured air from the Central Unit AGS, which controls the valve according to the actual shift situation. Cause of its size and heat resistance this special external valve is predestinated for use close to the throttle blipper at the engine.

Developed for working under harsh environment it is equipped with a waterproof loom and a military spec. connector .

Technical specifications

Electronic data:

Operating voltage 13.5V nom.
Operating current (active) approx. 330 mA

Mechanical data:

Dimensions L x W x H approx. 102.1 x 62.5 x 48.0 mm
Weight approx. 200 g / 0.44 lb
Fitting for air pressure inlet Dash3
Fitting for air pressure outlet Dash3

Pneumatic data:

Max. operating pressure 8 bar

Connector:

Deutsch 5 pin ASL606-05PN
pigtail 0.2 m
loomside ASL106-05SN

Temperature range:

Operating temperature (min/max) 0 .. 120°C
Recommended operating temperature < 100°C

Ordering information:

Article no. 356-014-011c
Order no. 4540

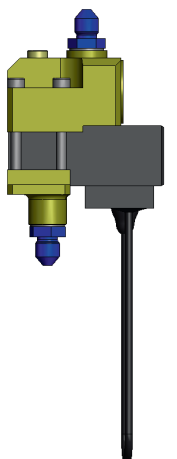
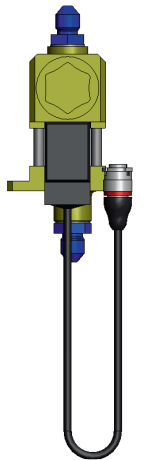
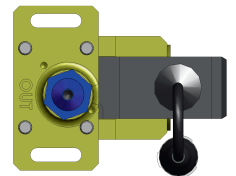
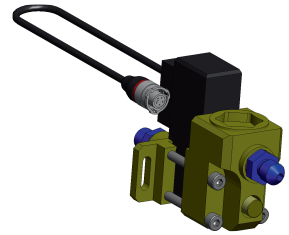


MEGA-Line
RACING ELECTRONIC GmbH
Haunersdorfer Str.3
D - 93342 Saal a.d. Donau

Germany

Phone: +49 (0) 9441 6866 - 0
Fax: +49 (0) 9441 6866 - 11

Mail: info@mega-line.com
Web: www.mega-line.com



Type No. 356-014-011c

MEGA-Line
RACING ELECTRONIC GmbH
Haunersdorfer Str.3
D - 93342 Saal a.d. Donau

Germany

Phone: +49 (0) 9441 6866 - 0
Fax: +49 (0) 9441 6866 - 11

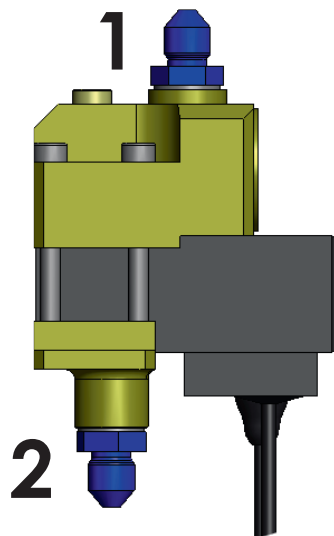
Mail: info@mega-line.com
Web: www.mega-line.com

Pin assignment (electric)

Pin	Function	Dia [AWG]	Type
1	n.c.	-	-
2	+12V	22	PWR
3	GND	22	PWR
4	n.c.	-	-
5	n.c.	-	-

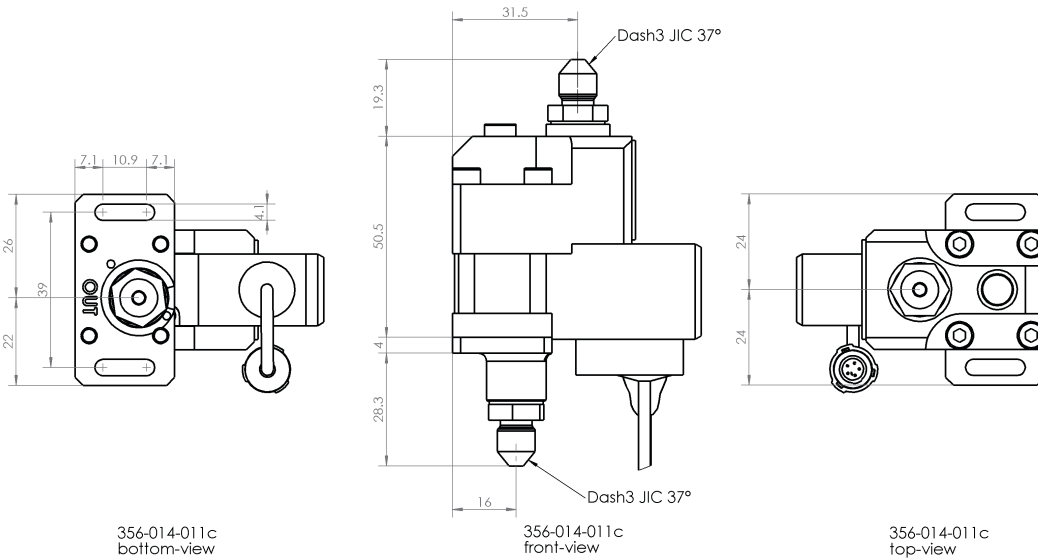
Port description (pneumatic)

Port	Function	Dimension	max.torque [Ncm]
1	Air pressure inlet	Dash3	800
2	Air pressure outlet	Dash3	800



Type No. 356-014-011c

Assembly dimensions



Mechanical dimensions

