

Type No. 342-014-011b



MEGA-Line
RACING ELECTRONIC GmbH
Haunersdorfer Str.3
D - 93342 Saal a.d. Donau

Germany

Phone: +49 (0) 9441 6866 - 0
Fax: +49 (0) 9441 6866 - 11

Mail: info@mega-line.com
Web: www.mega-line.com

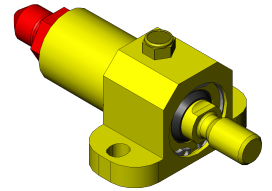
Description / features

The blip cylinder is a small actuator used to blip the throttle.
The pressure inlet is Dash 3, the exhaust is protected by a small filter.
The stroke is fixed at 15mm.

Technical specifications

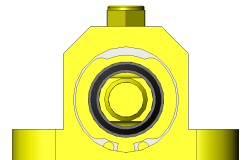
Mechanical data:

Dimensions L x W x H	approx. 62 x 42 x 29 mm
Weight	approx. 55 g
Air pressure inlet fitting	Dash3
rod thread	M8 x 1.25
Mode of operation	pushing , passive (does not retract automatically)
Stroke	15 mm fixed
Force	120 N @ 6 bar



Pneumatic data:

Max. operating pressure	6 - 8 bar
-------------------------	-----------

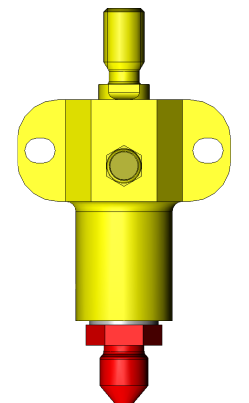


Temperature range:

Ambient (min/max)	0 .. +100°C
-------------------	-------------

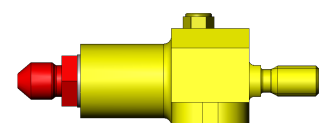
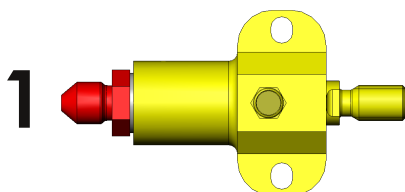
Ordering information:

Article no.	342-014-011b
Order no.	2933

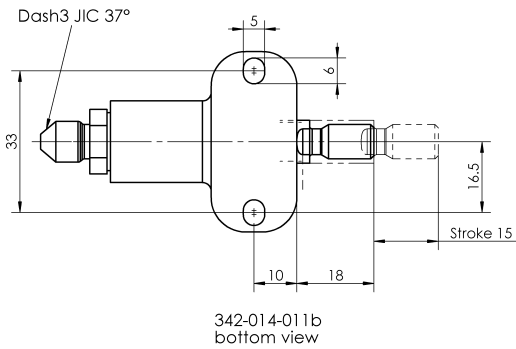


Port description (pneumatic)

Port	Function	Dimension	max.torque [Ncm]
1	Air pressure inlet	Dash3	800



Assembly dimensions



Mechanical dimensions

