

Description / features

The adjustment drive is fitted to the adjuster mechanism on the lollipop. The drive motor moves to the respective position subject to the stage of the pit stop and, in doing so, signals to the driver whether he should pull away or if work is still being carried out on the car. This drive motor is controlled via the CLS 359-04X-011.

Technical specifications

General information

Protection class IP 66
Ambient (min/max) -20 ... +40 °C

Electronic data:

Operating voltage 13.5V nom.
Operating current max 2.5 A

Mechanical data:

Dimensions L x W x H approx. 275 x 50 x 85 mm
Weight approx. 780 g
Cable length approx. 800 mm
Stroke max. 100 mm
Throw force, push and pull max. 200 N
Holding force, push max. 200 N
pull max. 100 N

Connector:

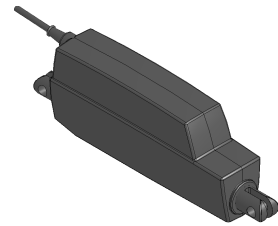
Deutsch 6 pin AS608-35PN

Ordering information:

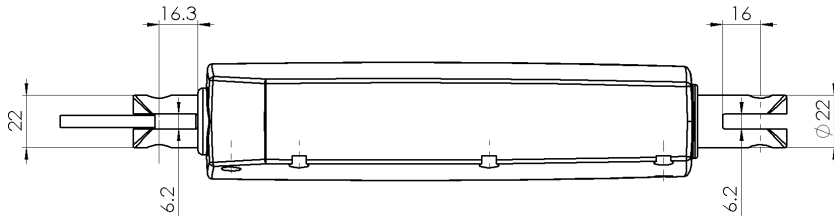
Article no. 359-081-011
Order no. 9117

Pin assignment

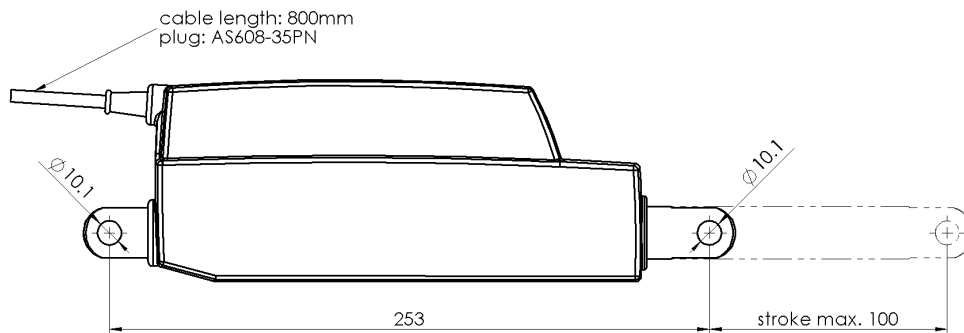
Pin	Function	Dia [AWG]	Type
1	motor +	22	pwr
2	motor -	22	pwr
3	nc	/	/
4	+5V	22	pwr
5	GND	22	pwr
6	signal poti	22	data



Assembly dimensions

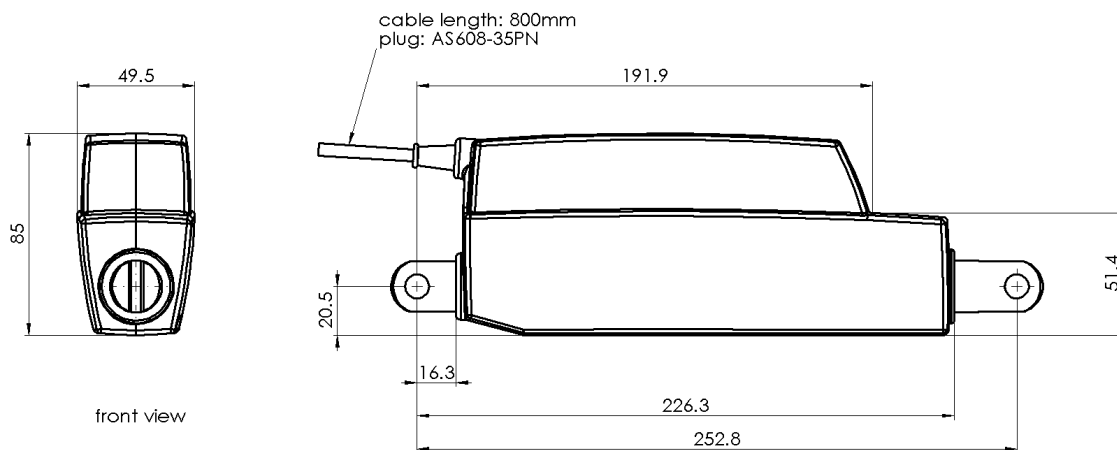


bottom view



side left view

Mechanical dimensions



front view

side left view