

Blip cylinder 9.5mm stroke

Type No. 378-014-011



MEGA-Line
RACING ELECTRONIC GmbH
Haunersdorfer Str. 3
D - 93342 Saal a. d. Donau
Germany
Tel: +49 (0) 9441 6866 - 0
Fax: +49 (0) 9441 6866 - 11
eMail: info@mega-line.com
Web: www.mega-line.com

Description / features

The blip cylinder is a small actuator used to blip the throttle.
The pressure inlet is Dash 3, the exhaust is protected by a small filter.
The stroke is fixed at 9.5mm.

Technical specifications:

Mechanical data:

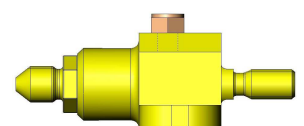
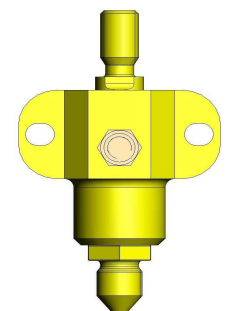
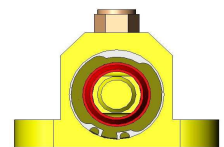
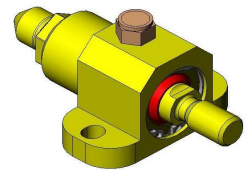
Dimensions L x W x H	approx. 68 x 42 x 30 mm
Weight	approx. 55 g
Air pressure inlet fitting	Dash3
Max. operating pressure	8 bar
Mode of operation	pushing, passive (does not retract automatically)
Stroke	9.5 mm fixed
Force	120 N @ 6 bar

Temperature range:

Ambient (min / max)	0° - 100 °C
---------------------	-------------

Ordering information:

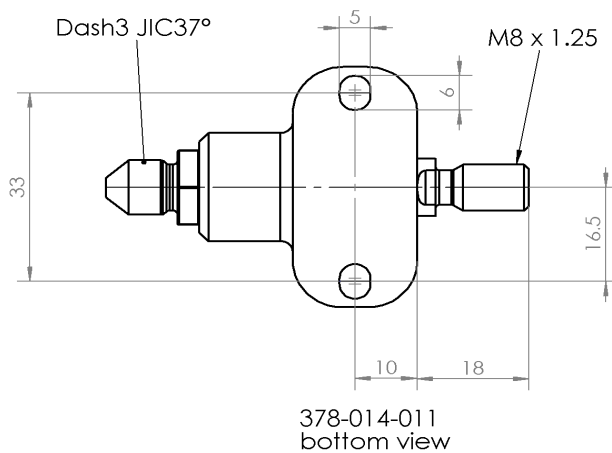
Article No.:	378-014-011
Order No.:	6603



Port descriptions (pneumatic)

Port	Function	Dim.	Max. torque [Ncm]
1	Air pressure inlet	Dash3	800

Assembly dimensions



Mechanical dimensions

