

Type No. 410-023-011

MEGA-Line
RACING ELECTRONIC GmbH
Haunersdorfer Str.3
D - 93342 Saal a.d. Donau

Germany

Phone: +49 (0) 9441 6866 - 0
Fax: +49 (0) 9441 6866 - 11

Mail: info@mega-line.com
Web: www.mega-line.com

Description / features

The shift paddle represents the human-mechanical interface for the AGS and is mounted on the steering wheel.

The right-hand paddle will initialize an Up-Shift; the left-hand paddle a Down-Shift.

The 'Shift Paddle Compact - X-Large Edition' has a symmetric design and therefore does not require distinction between left-hand and right-hand side.

The paddle movement is detected by a normally open contact switch.

Technical specifications

Electronic data:

Operating voltage 13.5V nom.
Output normally open contact

Mechanical data:

Dimensions L x W x H approx. 67 x 125 x 32 mm
Weight (pc) approx. 55 g
Cable type 44A0111-22
length approx. 50 cm
wire cross section AWG 22
Mounting 2 x M5, flat surface required
Versions symmetric, only one version for left & right
Protection class IP67

Connector:

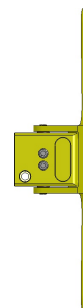
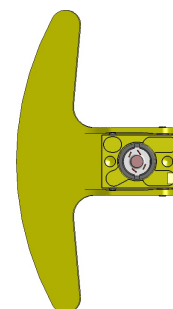
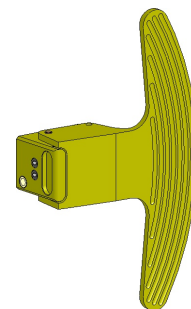
none - open loom

Temperature range:

Ambient (min/max) -25° to + 85°C

Ordering information:

Article no.: 410-023-011
Order no.: 12040



SHIFT PADDLE COMPACT - XL-EDITION

Type No. 410-023-011



MEGA-Line
RACING ELECTRONIC GmbH
Haunersdorfer Str.3
D - 93342 Saal a.d. Donau

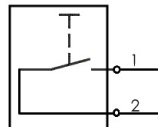
Germany

Phone: +49 (0) 9441 6866 - 0
Fax: +49 (0) 9441 6866 - 11

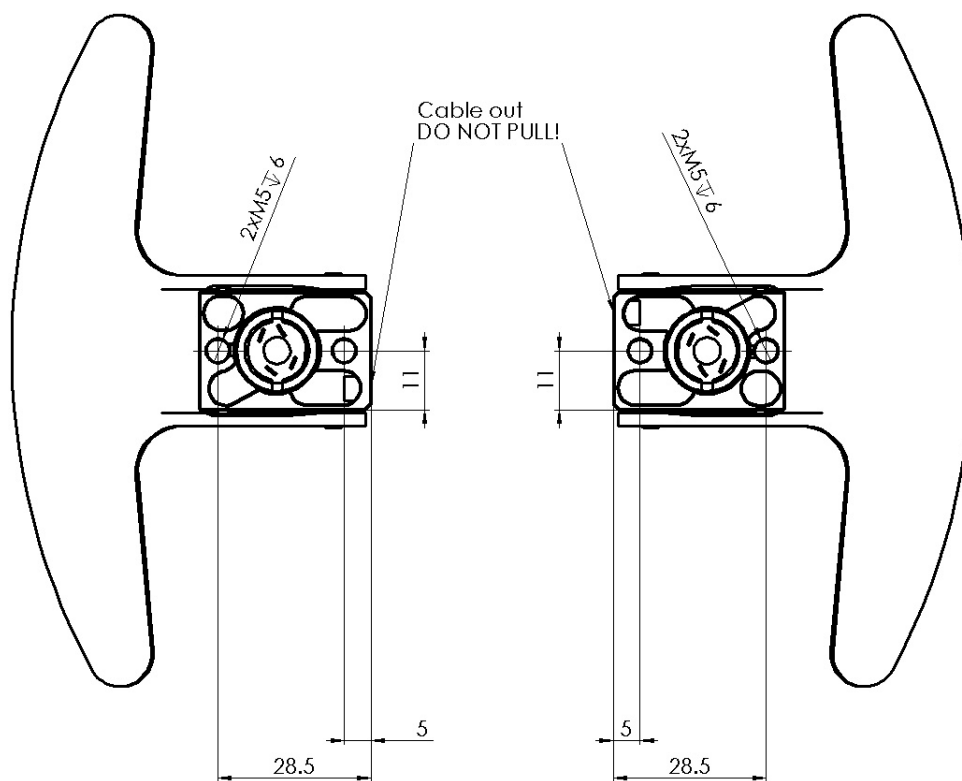
Mail: info@mega-line.com
Web: www.mega-line.com

Wiring description

Wire	Function	Dia [AWG]	Color
1	+12V electronic	22	white
2	Signal	22	white



Assembly dimensions



Type No. 410-023-011

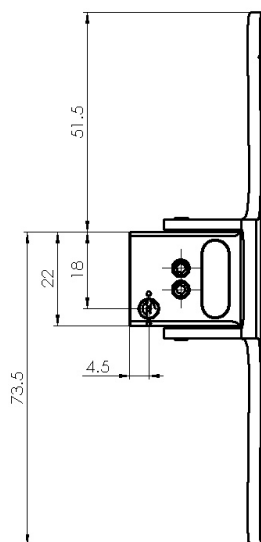
MEGA-Line
RACING ELECTRONIC GmbH
Haunersdorfer Str.3
D - 93342 Saal a.d. Donau

Germany

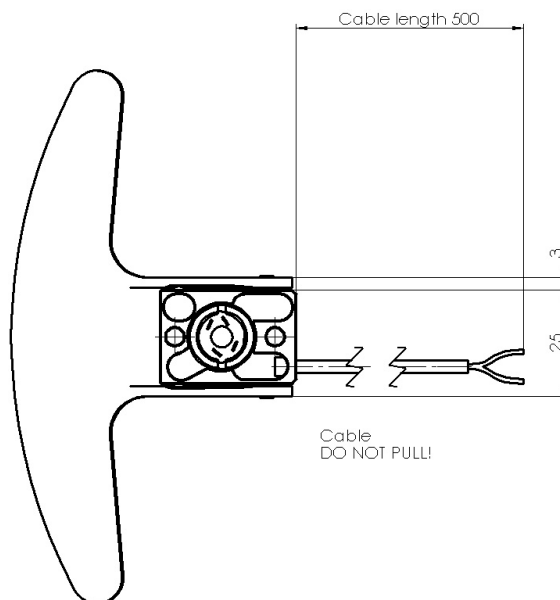
Phone: +49 (0) 9441 6866 - 0
Fax: +49 (0) 9441 6866 - 11

Mail: info@mega-line.com
Web: www.mega-line.com

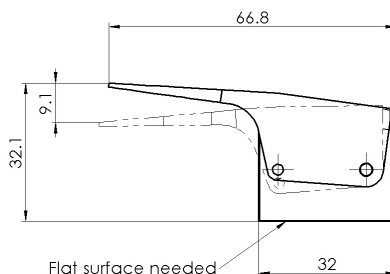
Mechanical dimensions



side left view



bottom view



top view